



The Friendly Net

I have a Yaesu FT-817 fitted with 500 Hz Collins mechanical filter for

New look for The news

And a very big hello to all you very friendly people!!

We still need your NEWS so please mail me with yours.

If you don't recognize the two smiling faces on the right then you've made two new friends.

Please mail us your/XYL photo and we will have a regular recognition column.. So let's 'broaden out' with our fellow association.

There'll be a 'travelling' column for mobile/portable nets when on hols, and pics from those hols too please.

Any photos that you email me please send them in JPEG format, and hard copy prints in any size 'snailmailed' to me are OK.

If you don't already know our webpage address, it is: www.hamradiocenter.com/vk4rv -



Do you recognize these two faces?? Answer next issue..

check it out regularly. There's the latest on a Bar-B-Q at VK4RV's QTH and a hint of another to come?

Please feel free to comment on our Newsletter, with constructive criticism most welcome.

THIS ISSUE is not an indication of things to come—it will only get better with your help. Please mail me your

suggestions for improvement.

Also please keep me informed of your email address changes or contact details.

The format will include:

- Editorial
- Classifieds
- Home brew articles
- On the road—travel

MAIL- To Nev - vk4eng@iprimus.com.au

What about some personality photos? - Get to know what we look like even though we haven't met. Mail them to me please.

The Friendly Net August, 2005

Inside this issue:

Travel: 2

Comings & Goings 2

VK4SID- VK2DON 2

Project: 3

Classifieds - 4



Well, Greetings to all, and August is going to be a busy and enjoyable month.

More news about that inside, and if you can send me a photo of hams at the big DC get together I will include them next month, or sooner.

Mail me at - VK4ENG@iprimus.com.au

Please send me news at any time.

WHAT ABOUT A LOGO—OR NOT?

Please mail your ideas ASAP.. Eg: crossed 40m resonators?? Or ??? Well you make the suggestion..



Comings & Goings

Andre—VK2FLY and XYL

Norma had an enjoyable trip to Canada and Alaska. Gained a day and lost 14 hours waiting on the way to L.A.. Then to Vancouver and on to Alaska.

Missed at the airport by Ken—AL7GA—but who beat them to their hotel and was waiting in the foyer with WT in pocket and radio jacket on.

Andre says "Ken is a great guy and we had a lot of fun with the family. Saw some nice KH's and

AH's, and the friends were just wonderful! They made us stay with them!"

Andre is waiting for better days now for his next trip..

Sid—VK4SID is recovering and also XYL Pam is home from a hip replacement—the op mid June and recuperating nicely.

Don—VK2DON and XYL

June were visiting the Sunshine State in June with a visit to Maryborough with Jon—VK4CY. Congratulations to Don and June on their 54th Anniversary, and that's no small accomplishment.

We look forward to seeing them again soon—at Townsville and Brisbane DC's

West meets East

Some two weeks ago Colin, VK6ZCF and XYL Bev moved from W.A. to the tropical Cairns area. Manoora is the local area and Colin is busy settling in (so is Bev) and looking forward to visitors over the DC period.

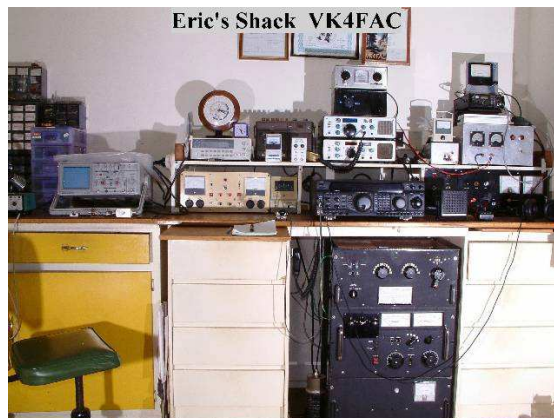
Colin's call is still the same at the moment, just potable 4 and if anyone can give him some hints on weed control he would be grateful. You can send him a mail at -

cbnetwork1@bigpond.com



Caption describing picture or graphic.

Guess Whose Shack



Well, there's no prize for a correct answer as to who operates here, but let's see if you can name the gear. The prize for that is the knowledge that you are correct—probably..

Do you have a photo of your shack? Or an interesting item of gear? If so email it to me (or mail to QTH) for inclusion.

Tassie Togetherness

It may be a little chilly in the Apple Isle, but it was all warmth that permeated the DC get together in Hobart on July 15-17.

This was attended by Vagn VK7VJ, Jeremy VK7NO and Hayden VK7HAY.

All north of the "Promontary " were thinking of you and we're looking forward to ours soon.

Did You Know?

It is impossible to lick your elbow.

Many years ago in Scotland, a new game was invented. It was ruled "Gentlemen Only...Ladies Forbidden"...and thus the word GOLF entered into the English language.

Men can read smaller print than women can; women can hear better. **At least** 75% of people who have read this will try to lick their elbow.

Project ZAPPER

Nicad failure

Unknown source..

Here is a little Project to try—Contributor unknown..

This little circuit addresses the failure of multi-cell Nicad packs due to a voltage difference between cells.

Say you have four 1.25v cells in a pack connected to a 200 ohm load. The load 'sees' 5 volts and draws 25ma.

Since each cell must pass the entire 25ma and each cell's potential is 1.25v, Ohm's Law tells us that each cell sees the equivalent load of 50ohms.

But in practice no four cells in a battery ever exhibit exactly the same output voltage. Assume that one cell is delivering only 1.2v, and the others are 1.25v. Now, the 200ohm load sees 4.95v and draws 24.75ma.

Since all four cells must pass the entire 24.75ma, each of the strong cells at 1.25v sees an equivalent load of 50.5 ohms. The weak cell sees only 48.5 ohms. The weak cell works into the heaviest load and as a result will discharge more rapidly than the other cells.

If the pack is charged for only a short period of time, the weak cell, which has been working the hardest, is also the one that receives the least charge.

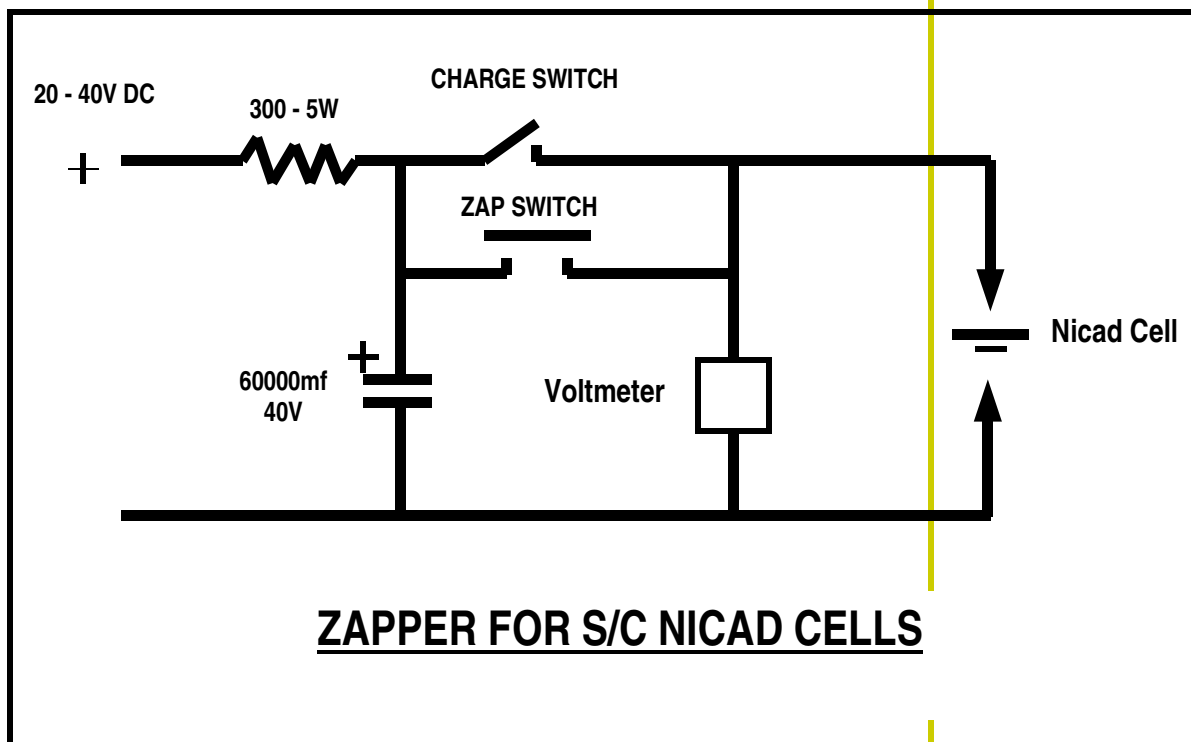
A combination of incomplete charges and deep discharges will exaggerate this difference between the cells until the weak cell invariably reaches its 'knee' - the point at which its voltage decreases sharply, long before the other cells reach the same point.

So suddenly the weak cell sees an

increasingly heavy load which causes its voltage to drop even faster. This continues until the cell is completely discharged—result—the cell begins to charge in reverse and eventual short circuit.

Even though the cell is apparently dead, most of its plate material is still intact, and if the small amount of material that forms the short circuit could be removed, the cell could be restored to virtually its original capacity once again.

(The circuit below has been tried and will work, in fact a commercial variety is available for lead/acid batteries., with a timed discharge. Give me some feedback on results: Ed.)



CLASSIFIED ADS—**Buy—Sell—Swap- etc..**

I have a Yaesu FT-817 fitted with 500 Hz Collins mechanical filter for CW. It is a little DC to Daylight rig - receives all the way from the Broadcast Band up to 70 cm and beyond, with some gaps. Transmits all bands from 160 metres to 70 centimetres, all modes. Has a built in auto keyer that any twin paddle just plugs into, will also work with a straight key. Just 5 watts, but it does get out well. I bought it for travel, it is still like new, but don't think my health is going to let me do as planned. Not sure if I want to sell it, but if anyone interested they could give me a call, or email.

Also have a TS-820 which everyone has heard on air, with remote VFO. The digital display is playing up, so I am replacing it with a state of the art one using a backlit LCD display which reads to 10 Hz. That is coming from the US in kit form, and will be installed in couple of weeks. If anyone interested, let's know. The price will be around \$450 with new finals and driver, new display, remote vfo, and microphone.

I can land Digital Display kits to suit the TS-520 for \$102 Aus from the US (AADE). They plug straight in to the RCA sockets on the back of the '520 (use a 3 wire Video/Audio cable), on the "S" and "SE" models of the '520 ONLY. I mention that just for interest. They are completely reliable, unlike the original DG-5 display which played up more often than not ! No case included at that price. They have a fully built one in a nice case for USD150 (about AUD215) + postage.

Email Warwick VK4AP— lakew@optusnet.com.au

**THIS SPACE
IS
RESERVED
FOR
YOU!!!**

**Mail me your ads—buy/
sell/wanted**

STOP**PRESS**

**WE COULD HAVE HAD HAM & EGGS IF WE HAD THE EGGS..
Hams from the Brisbane DC No.1 Sunday 13.08**

**FROM LEFT: VK4ENG—VK4IBC-VK2DON-VK4EPR-VK4CY-VK4SID-VK2TVW-
VK4JTL-VK4RV-VK4EMW-VK4NYU**